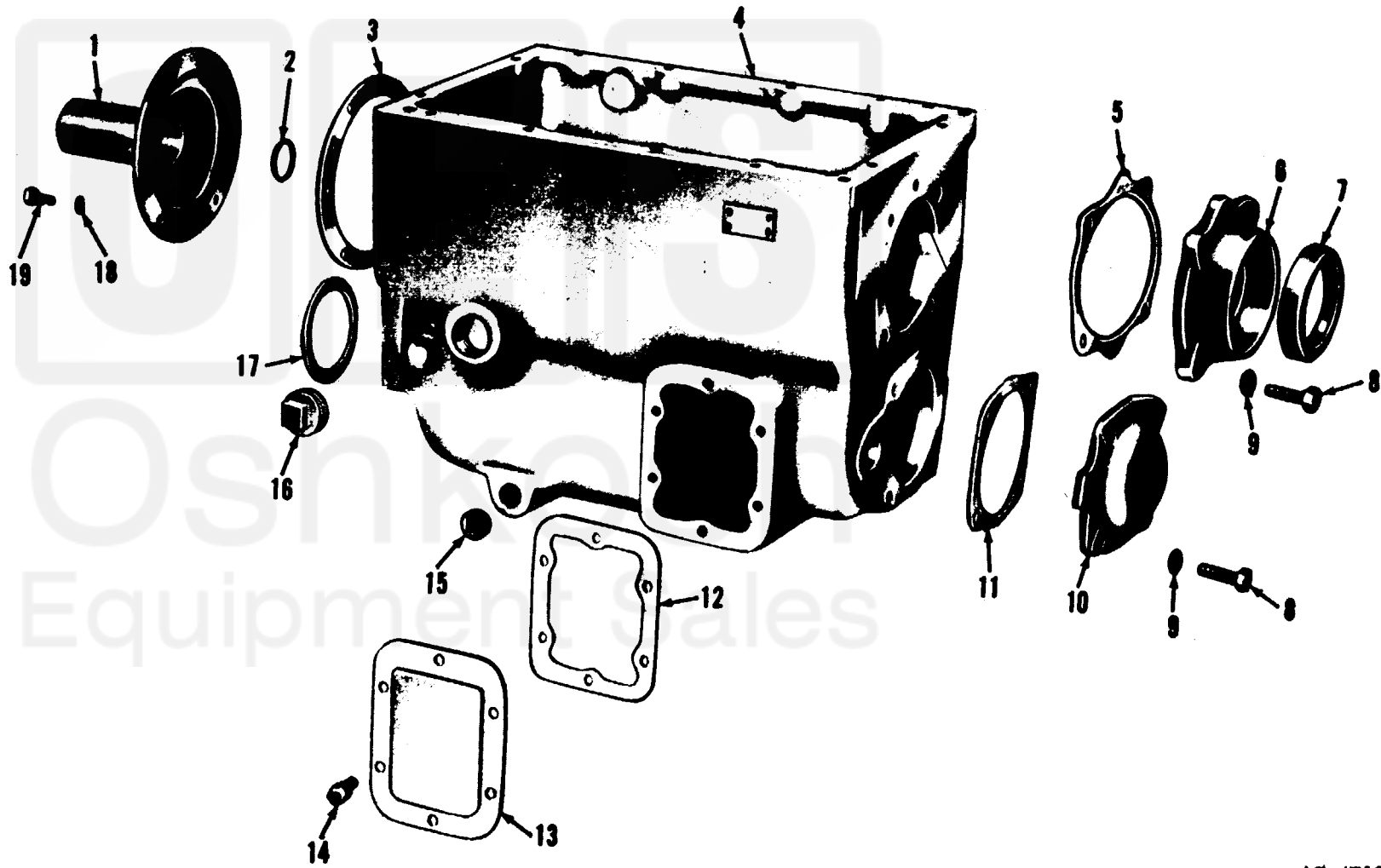


(1)	(2)	(3)	(4)	(5)	(6)	(7)	(8)	(9)	(10)				
SMR	Federal	DESCRIPTION	UNIT	Qty	30-day DS	maint	30-day GS	maint	1-yr	Depot	Illustration		
Code	Stock		of	inc.	allowance	allowance	allow	maint					
Number			meas	in			per	alw					
			Unit				100	per	(a)	(b)			
							equip	100	Figure	Item			
							cnt-	equip	No.	No.			
					(a)	(b)	(c)	(a)	(b)	(c)	gcy		
		Reference Number & Mfr. Code		Usable On Code									
		0613-HULL OR CHASSIS WIRING HARNES-CONTINUED NON-ILLUSTRATED-CONTINUED											
P-O	5945-296-8464	FLASHER, THERMAL: 103646R91 (31007)	A	EA	R1	*	*	*	*	*	*	4	8
P-O	5975-504-8992	CAP, ELECTRICAL: SLIP RING 10876367 (19207)	BD	EA	3	*	*	*	*	*	*	4	8
P-O	5977-504-8967	HOLDER, ELECTRICAL, CONTACT BRUSH: SLIP RING PLATE SUPPORT 10876136 (19207)	BD	EA	3	*	*	*	*	*	*	4	8
P-O	6220-512-9215	RING ASSEMBLY, RETAINING: 8735610 (19207)	A	EA	2	*	*	*	*	*	*	4	8
		GROUP 07-TRANSMISSION											
		0700-TRANSMISSION ASSEMBLY											
		NOTE. REFER TO GROUP 3301 FOR CONTAINED ASSEMBLY AND ITS COMPONENTS											
P-F-S	2520-971-5016	TRANSMISSION AND CONTAINER: DIESEL 5703065 (19207)	AC	EA	1	*	*	*	*	*	*	8	10
P-F-S	2520-971-5015	TRANSMISSION ASSEMBLY: DIESEL 11KBAX3158 (76040)	AC	EA	1	*	*	*	*	*	*		40
P-F-S	2520-973-4086	TRANSMISSION AND CONTAINER: GASOLINE AND MULTIFUEL 5703527 (19207)	AA,AB	EA	1	*	*	*	*	*	*	8	10
P-F-S	2520-692-6175	TRANSMISSION, MECHANICAL: GAS AND MULTIFUEL 8333605 (19207)	AA,AB	EA	1	*	*	*	*	*	*		41
P-F	5305-269-3213	SCREW, CAP, HEXAGON: TRANSMISSION MS90725-62 (96906)	A	EA	12	*	*	*	*	*	*	8	10
P-F	5310-637-9541	WASHER, LOCK: TRANSMISSION MS35338-46 (96906)	A	EA	12	*	*	*	*	*	*	8	10
P-F	2520-692-6186	COVER ASSEMBLY, MAINSHAFT: TRANSMISSION 8333613 (19207)	A	EA	1	*	*	*	*	*	*	2	5
P-F	5330-612-1188	SEAL, PLAIN, ENCASED: MAIN SHAFT FRONT BEARING COVER 8334012 (19207)	A	EA	1	*	*	*	*	*	*	24	100
P-F	2520-734-7592	GASKET: INPUT SHAFT FRONT BEARING COVER (COMPONENT OF GASKET SET, FSN 2520-692-6183) 7347592 (19207)	A	EA	1	*	*	*	*	*	*	10	42



AT 47182

Figure 42. Transmission case and attaching parts.